

PRODUCT DATASHEET

DULUX T PLUS 13 W/830

OSRAM DULUX T PLUS | CFLni, 3 tubes, with 2-pin base for CCG operation



AREAS OF APPLICATION

- Offices, public buildings
- Shops
- Supermarkets and department stores
- Hotels, restaurants
- Industrial lighting

PRODUCT BENEFITS

- Very economical
- Good quality of light
- Excellent luminous flux
- Long service life
- Improved maintenance

PRODUCT FEATURES

- Average life: 10,000 h
- Color rendering index $R_a \geq 80$
- Short and compact pin-base lamp with triple-turn tubes
- Single-ended two-pin plug-in GX24d base



TECHNICAL DATA

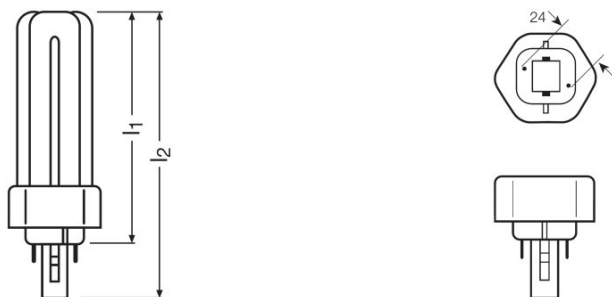
Electrical data

Rated wattage	13.00 W
Nominal wattage	13.00 W

Photometrical data

Nominal luminous flux	900 lm
Luminous flux at 25 °C	900 lm
Rated luminous flux	900 lm
Rated color temperature	3000 K
Color rendering index Ra	≥80
Rated LLMF at 2,000 h	0.85
Rated LLMF at 4,000 h	0.78
Rated LLMF at 6,000 h	0.76
Rated LLMF at 8,000 h	0.75
Light color (designation)	LUMILUX Warm White
Color temperature	3000 K
Luminous flux	900 lm
Color rendering index Ra	≥80

— **Dimensions & weight**



Diameter	11.0 mm
Overall length	111.0 mm
Length	113.0 mm
Length acc. to IEC standard	90 mm
Length with base excl. base pins/connection	90.00 mm
Outer bulb	T12
Maximum diameter	12.0 mm

Lifespan

Nominal lamp life time	10000 h
Rated lamp life time	10000 h
Rated lamp survival factor at 2,000 h	0.99
Rated lamp survival factor at 4,000 h	0.99
Rated lamp survival factor at 6,000 h	0.95
Rated lamp survival factor at 8,000 h	0.81
Operation mode LLMF/LSF	50 Hz
Lifespan	10000 h ¹⁾

¹⁾ With CCG/LLCG

Additional product data

Base (standard designation)	GX24d-1
Mercury content	1.7 mg

Capabilities

Dimmable	No
----------	----

Certificates & standards

Energy consumption	17 kWh/1000h
Energy efficiency class	A

Country-specific categorizations

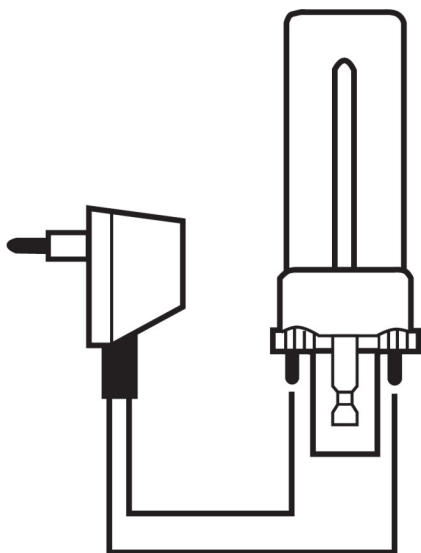
ILCOS	FSM-13/830-I-GX24d-1
-------	----------------------

Light Distribution



Spectral power distribution

Wiring Diagram



Wiring diagram