

## PAR64 64737/4 VNSP

Large PAR Halogen | Halogen lamps with parabolic reflector, including PAR36, PAR56, and PAR64, with pin base



### Areas of application

- Concert Lighting
- Club & Disco
- Stage & Theatre
- Architecture & Architainment

### Product family benefits

- Easy lamp replacement

### Product family features

- The parabolic glass reflector and the front lens are fused together
- High luminous intensity
- Available in different beam angles to ensure high flexibility



# Product datasheet

## Technical data

### General Product Information

Global order reference	PAR64 64737/4 VNSP
------------------------	--------------------

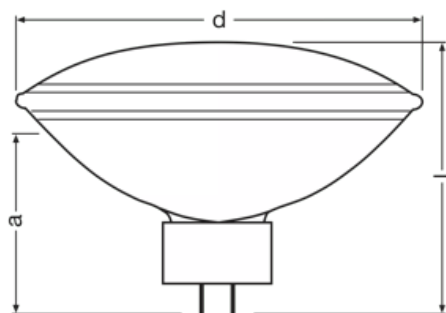
### Electrical Data

Nominal wattage	1000 W
Nominal voltage	240 V

### Photometric Data

Useful luminous flux ( $\Phi_{use}$ )	15800 lm
$\Phi_{use}$ value refers to luminous flux	90
Peak luminous intensity	307500
Color temperature	3200 K
Correlated color temperature CCT	3090 K
Chromaticity coordinate x	0.433
Chromaticity coordinate y	0.404
Color rendering index Ra	100
Beam type	VNSP

### Physical Attributes & Dimensions



Lamp base	GX16d
Diameter	204.0 mm
Length	152.4 mm
Product weight	790.00 g

### Operating Conditions

Burning position	hs30 <sup>1)</sup>
Dimmable	Yes

## Product datasheet

<b>Max. permitted ambient temp. pinch point</b>	350 °C
---	--------

<sup>1)</sup> Do not tilt perpendicular to the filament

### Lifetime Data

<b>Nominal lifetime</b>	300 hr
-------------------------	--------

### Environmental & Regulatory Information

<b>Information according Art. 33 of EU Regulation (EC) 1907/2006 (REACH)</b>	
<b>Primary article identifier</b>	4062172359214
<b>Energy efficiency class</b>	G
<b>Declaration no. in SCIP database</b>	No declarable substances contained
<b>Candidate list substance 1</b>	No declarable substances contained