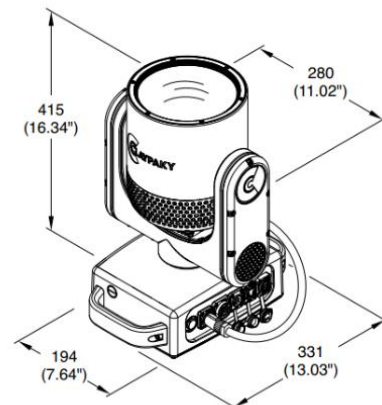
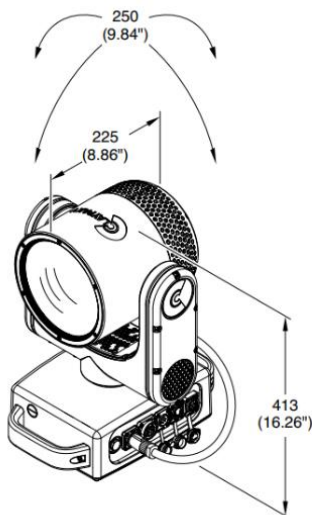


MODEL: MINI-B AQUA PX

CODE: CL3038

October 10, 2024



#### LIGHT SOURCE:

- Source type:** • LED RGBW
- Power:** • 40 W x 7 (Osram)
- LED life expectancy:** • 50.000 Hrs L70\*
- \* *It may vary depending on various factors, such as the type of use and environment*

#### PHOTOMETRIC DATA:

- Zoom range:** • 4 – 55°
- Lm output:** • 3420 Lm (integrating sphere)
- Front lens:** • Ø 153 mm
- Optical syt.:** • High efficiency

#### NOISE LEVEL:

- Controlled by:** • Able to control linearly the speed of the fans
- Fixed presets:**
  - Silent mode: 40.2 dBA
  - Auto mode: 46.0 dBA
  - Theatre mode: 46.8 dBA
  - Constant mode: 50.3 dBA

#### CONTROL & CONNECTIONS:

- Personalities:**
  - Basic engine: 15 / 37 / 31
  - Pixel engine: 21 / 28
- Protocols:** • DMX, Art-Net, sACN, RDM
- Connectors:**
  - Locking 5 pin XLR IN/OUT
  - RJ45 IN/OUT
- Power con.:** • PowerCon True1 IN/OUT
- Web server:** • Built-in
- CloudIO:** • Fully compatible

#### DYNAMIC EFFECTS:

- Colors:**
  - RGBW color mixing – 16 bit
  - Linear CTO 2500K to 8000K
  - Built-in macros with enhanced pixel control
  - Preset colors
- Movement:**
  - Tilt: 260° (16 bit) – MAX speed: 3,5 sec
  - Pan: 540° (16 bit) – MAX speed: 5,4 sec
  - Automatic repositioning
  - Fast / Normal / Boost speed selectable by functional channel
- Beam:**
  - Motorized zoom

**Dimmer /  
Shutter:**

- High resolution electronic dimmer - 24 bit, 5 curves
- High speed electronic strobe

**HARDWARE & SOFTWARE:**

- Long life self-charging battery
- Display graphic LCD backlit B/W display
- Firmware upload from another fixture
- Firmware upgrade via Web Server
- Diagnostic
- DMX monitoring
- Remote access through RDM

**HOUSING:**

- Aluminium and steel structure with plastic covers
- Two side handles for transportation
- IP66 protection rate
- Working in any position
- Hanging system: with fast-lock Omega clamps (1/4 turn) on the base
- Optional safety chain

**ELECTRICAL:****Operating voltage:**

- 100-120 / 200-240V, 50/60 Hz

**In/Out MAX:**

- In/Out Max 2300VA, 6(2) fixtures @ 200-240Vac (@ 100-120Vac); Max 8.25A

**Power Supply:**

- Electronic auto range with active PFC

**MAX power consumption:**

- 375 W

**THERMAL SPECIFICATION:****MAX Ambient temperature:**

- 45°C (113°F)

**Min Ambient Temperature:**

- -20°C (-4°F)

**MAX temp. of the ext. surface:**

- 90°C (194°F)

**Total heat dissipation:**

- 956,6 BTU/hr ±10% / 1008 kJ/hr ±10%

**SAFETY SPECIFICATIONS:****Min. dist. of illum. objs:**

- 0,2 m (8")

**Min. dist. from flamm. mat.:**

- 0,2 m (8")

**Protections:**

- Thermally protected power supply (overheating and cooling failure)
- Forced ventilation with axial fans
- Fuse T6.3A – 250V + battery fuse

**COMPLIANCE:****CE Marking (in conformity to the following):**

- 2014/35/EU – Low Voltage Directive (LVD)
- 2014/30/EU – Electromagnetic Compatibility (EMC)
- 2011/65/EU - Restriction of the use of certain hazardous substances (RoHS)
- 2009/125/EC - EcoDesign requirements for Energy-related Products (ErP)

**UKCA conforms to UK regulations:**

- S.I. 2016 N.1101
- S.I. 2016 N.1091
- S.I. 2012 N.3032
- S.I. 2021 N.745

**cMETLus LISTED:**

- UL 1573:2003
- CSA C22.2 N.166:2015

**PACKAGING:**

- Carton box + Polystyrene
- Carton box + Foam shell
- Flight case + Foam shell (6 positions)

**WEIGHT & SIZES:****Weight:**

- 12,7 Kg (27,9 lbs)

**Base dim.s:**

- 194 x 331 mm
- 7,64 x 13,03 In

**Height with vert. head (h):**

- 415 mm
- 16,34 In

**Dist. b/t 2 fixt:**

- 400 mm

**ACCESSORIES:****Omega bracket:**

- 1x433060/801 (Included)

**ETL Power:**

- CAB02B-802 (Optional)\*  
\* Cord 1.5 m (bare end with IP65 PowerConTrue1 conn.)

**Flight case (6 pos):**

- CF1023F (Optional)

**Foam shell:**

- F21339/001 (Optional)

**Safety Chain:**

- 105015/802 (Optional)

**Clamp:**

- C21070 (Optional)

**PowerCon True1 con.:**

- CON000 (Optional)