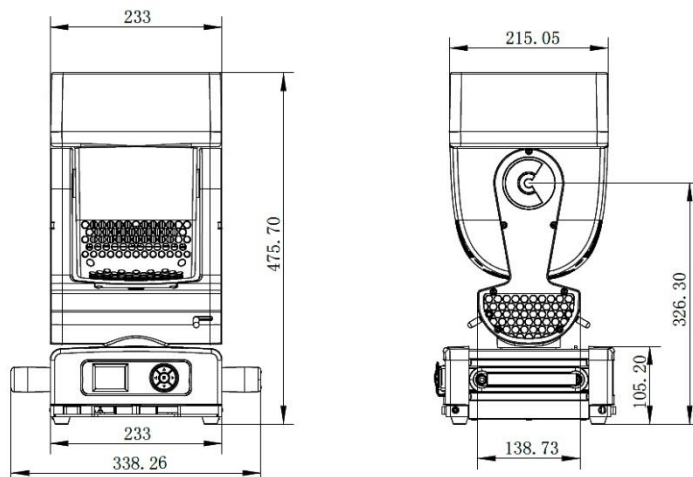


MODEL: VOLERO CUBE

CODE: CL3031

October 3, 2024

DRAFT: WARNING: THE INFORMATION IN THIS DOCUMENT IS SUBJECT TO CHANGE WITHOUT NOTICE AND SHOULD NOT BE CONSTRUED AS A COMMITMENT BY CLAY PAKY S.R.L.



LIGHT SOURCE:

- Source type:**
- 4 LED RGBW (x 60W)
 - 64 LED White (x 10W)

- Color temperature:**
- 8400 K

- CRI:**
- ≤ 70

- LED life expectancy:**
- 50.000 Hrs L70*

* It may vary depending on various factors, such as the type of use and environment

PHOTOMETRIC DATA:

- Zoom range:**
- 4° - 55°
- Front lens:**
- Ø 187 x 187 mm
- Optical syt.:**
- High efficiency

CONTROL & CONNECTIONS:

- Personalities:**
- 3 modes with 22 / 41 / 45 control channels
 - Pixel engine: with 16 channels
 - Strobe engine: with 8 channels

- Protocols:**
- DMX, Art-Net, sACN, RDM

- Connectors:**
- Locking 5 pin XLR IN/OUT
 - RJ45 IN/OUT

- Power con.:**
- PowerCon True1 IN/OUT

- Web server:**
- Built-in

- CloudIO:**
- Fully compatible

DYNAMIC EFFECTS:

- Colors:**
- Electronic CTO 2500 – 8000K
 - Advanced layers management (color, internal shape, pixel mapping + strobe)
 - Individual LED control of four central RGBW LEDs
 - Pre-programmed shape selection of static and dynamic patterns, adjustable in color, speed, direction, fade, and strobe

- Movement:**
- Tilt: 194°
 - Pan: 540°
 - Accuracy: Resolution: $\pm 0.2^\circ$ ($\pm 0^\circ 12' 00''$)
Range: $0,4^\circ$ ($0^\circ 24' 0''$)
 - Mechanical Pan lock for safe transportation and maintenance
- Beam:**
- Motorized zoom
- Dimmer / Shutter:**
- High resolution electronic dimmer
 - Electronic strobe 25 f/sec
 - High speed electronic shutter and strobe

HARDWARE & SOFTWARE:

- Long life self-charging battery
- Display graphic LCD backlit B/W display
- Firmware upload from another fixture
- Firmware upgrade via Web Server
- Diagnostic
- DMX monitoring
- Remote access through RDM

HOUSING:

- Magnesium housing
- Two side handles for transportation
- IP66 protection rate
- Working in any position
- Hanging system: with fast-lock Omega clamps (1/4) turn on the base
- Optional safety chain

ELECTRICAL:

- Operating voltage:**
- 100-240V, 50/60 Hz
- Power Supply:**
- Electronic auto range with active PFC
- MAX power consumption:**
- 500 W

THERMAL SPECIFICATION:

- MAX Ambient temperature:**
- 45°C (113°F)
- Min Ambient Temperature:**
- -20°C (-4°F)
- MAX temp. of ext. surface:**
- 90°C (194°F)
- Total heat dissipation:**
- BTU/hr $\pm 10\%$ / kJ/hr $\pm 10\%$

SAFETY SPECIFICATIONS:

- Min. dist. of illum. objs:**
- 0,2 m - 8 in
- Min. dist. from flamm. mat.:**
- 0,2 m - 8 in
- Protections:**
- Thermally protected power supply (overheating and cooling failure)
 - Forced ventilation with axial fans
 - 6.3A 250V fuse

COMPLIANCE:

CE Marking (in conformity to the following):

- 2014/35/EU - Low Voltage Directive (LVD)
- 2014/30/EU - Electromagnetic compatibility (EMC)
- 2011/65/EU - Restriction of the use of certain hazardous substances (RoHS)
- 2009/125/EC - EcoDesign requirements for Energy-related Products (ErP)

UKCA conforms to UK regulations:

- S.I. 2016 N.1101
- S.I. 2016 N. 1091
- S.I. 2012 N.3032
- S.I. 2021 N.745

cMETus LISTED:

- UL 1573:2003
- CSA C22.2 N.166:2015

PACKAGING:

- Carton box + Polystyrene
- Carton box + Foam shell
- Flight case + Foam shell

WEIGHT & SIZES:

- Weight:**
- 15.4 Kg (33.95 lbs)
- Base dim.s:**
- 233 x 338 mm
 - 9.17 x 13.30 In
- Height with vert. head (h):**
- 476 mm
 - 18.74 In