

L 22 W/865 G10Q

LUMILUX T9 C | Circular fluorescent lamps 29 mm, with G10Q base



Areas of application

- Public buildings
- Restaurants
- Industry
- Shops
- Supermarkets and department stores
- Hotels

Product benefits

- Extremely economical
- Good quality of light
- Excellent luminous flux
- Excellent uniform illumination with no shadows

Product features

- Good color rendering group: 1B (R_a : 80...89)
- Good average lifetime
- Single-ended round fluorescent lamp
- Dimmable



Product datasheet

Technical data

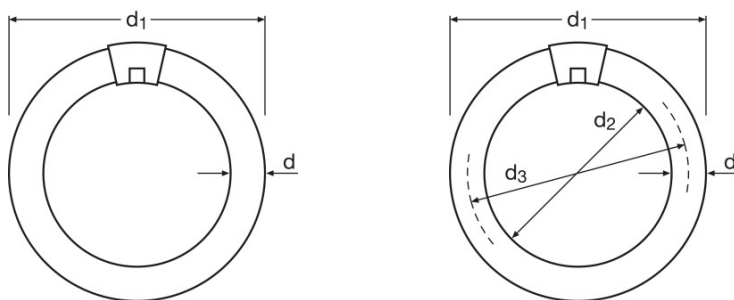
Electrical data

Nominal voltage	62.0 V
Nominal wattage	22.0 W
Rated lamp efficacy (standard condition)	59 lm/W
Rated wattage	22.00 W
Rated luminous flux	1300 lm

Photometrical data

Color rendering index Ra	80...89
Luminous flux at 25 °C	1300 lm
Light color	865
Color temperature	6500 K
Nominal luminous flux	1300 lm
Light color as per EN 12464-1	LUMILUX Cool White
Rated LLMF at 2,000 h	0.80
Rated LLMF at 4,000 h	0.74
Rated LLMF at 6,000 h	0.72
Rated LLMF at 8,000 h	0.70

Dimensions & weight



Tube diameter	29 mm
Length	216.0 mm
Diameter	216.0 mm

Temperatures

Rated ambient temp.w.max.luminous flux	25.0 °C
--	---------

Product datasheet

Lifespan

Service life	6000 h ¹⁾
Lifespan	7500 h ¹⁾
Rated lamp survival factor at 2,000 h	0.99
Rated lamp survival factor at 4,000 h	0.95
Rated lamp survival factor at 6,000 h	0.83
Rated lamp survival factor at 8,000 h	0.62
Operation mode LLMF/LSF	50 Hz
Rated lamp life time	9000 h
Nominal lamp life time	9000 h

¹⁾ With preheat ECG

Additional product data

Base (standard designation)	G10q
Lamp mercury content	9.0 mg
Appropriate disposal acc. to WEEE	Yes

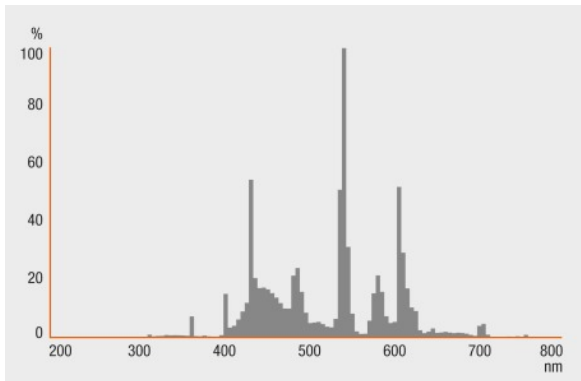
Capabilities

Suitable for indoor	Yes
---------------------	-----

Certificates & standards

Energy efficiency class	B
Energy consumption	25 kWh/1000h

Light Distribution



Spectral power distribution



Guarantee

Equipment / Accessories

- Suitable for operation on electronic and conventional control gears

Safety advice

In case of lamp breakage: www.osram.com/brokenlamp

Product datasheet



Circuit diagram

Logistical Data

Product code	Product description	Packaging unit (Pieces/Unit)	Dimensions (length x width x height)	Volume	Gross weight
4008321581105	L 22 W/865 G10Q	Shipping carton box 12	450 mm x 227 mm x 238 mm	24.31 dm ³	2708.60 g

The mentioned product code describes the smallest quantity unit which can be ordered. One shipping unit can contain one or more single products. When placing an order, for the quantity please enter single or multiples of a shipping unit.

References / Links

For more information on QUICKTRONIC electronic control gear go to

▶ www.osram.com/QUICKTRONIC

Disclaimer

Subject to change without notice. Errors and omission excepted. Always make sure to use the most recent release.

L 22 W/865 G10Q

LUMILUX T9 C | Circular fluorescent lamps 29 mm, with G10Q base

Product name	Product name ECG	EAN	Nominal current	Nominal wattage + Power loss	Luminous flux at 35 °C	Number of lighting outlets
L 22W/865 C G10Q	QT-ECO 1x18-24/220-240 L	4050300660417	0.14 A	20.00 W	1250 lm	1
	QT-ECO 1x18-24/220-240 S	4050300638560	0.14 A	20.00 W	1250 lm	1